

1995 Chevrolet LUMINA

Submodel: | Engine Type: V6 | Liters: 3.1

Fuel Delivery: FI | Fuel: GAS

Fig. 1: Park/lock and shift control — console shift type

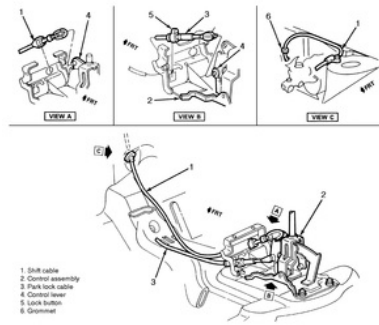
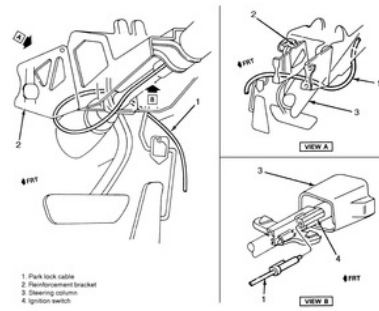


Fig. 2: Park/lock control cable — column shift type



1. Disconnect the negative battery cable.
2. With the shift lever in the **P** position and the key in the **LOCK** position, make sure that the shifter cannot be moved to another position. The key should be removable from the column.
3. With the key in the **RUN** position and the shifter in the **N** position, the key should NOT turn to the **LOCK** position.
4. Adjust the cable by pulling up the cable connector lock at the shifter.
5. If the key cannot be removed in the **P** position, snap the connector lock button to the up position and move the cable connector nose rearward until the key can be removed from the ignition.
6. Snap the lock button down and recheck operation. Connect the negative battery cable.