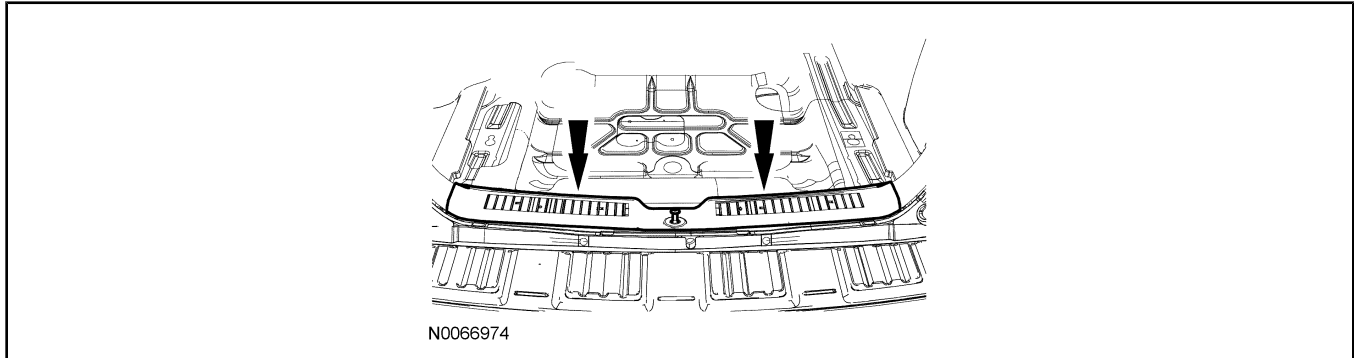


SECTION 501-03 Body Closures

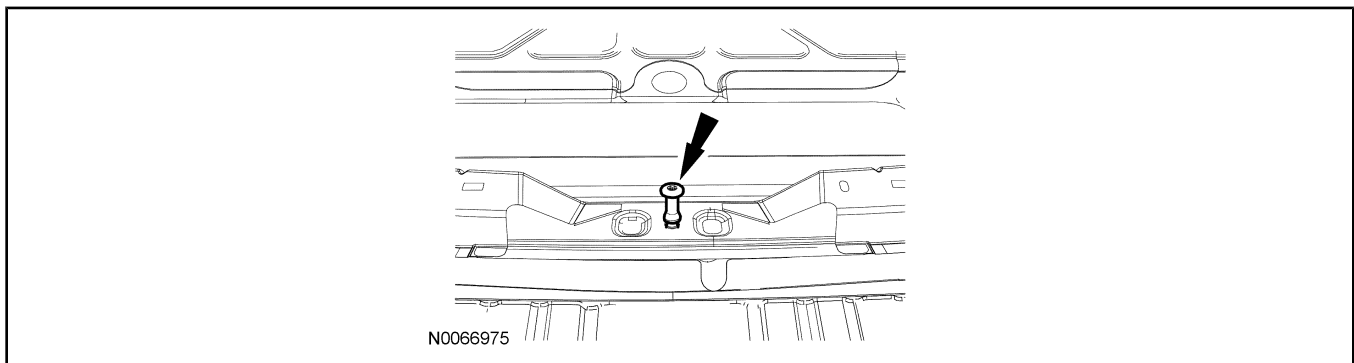
CONTENTS	PAGE
GENERAL PROCEDURES	
Liftgate Alignment	501-03-2

GENERAL PROCEDURES**Liftgate Alignment****All alignments**

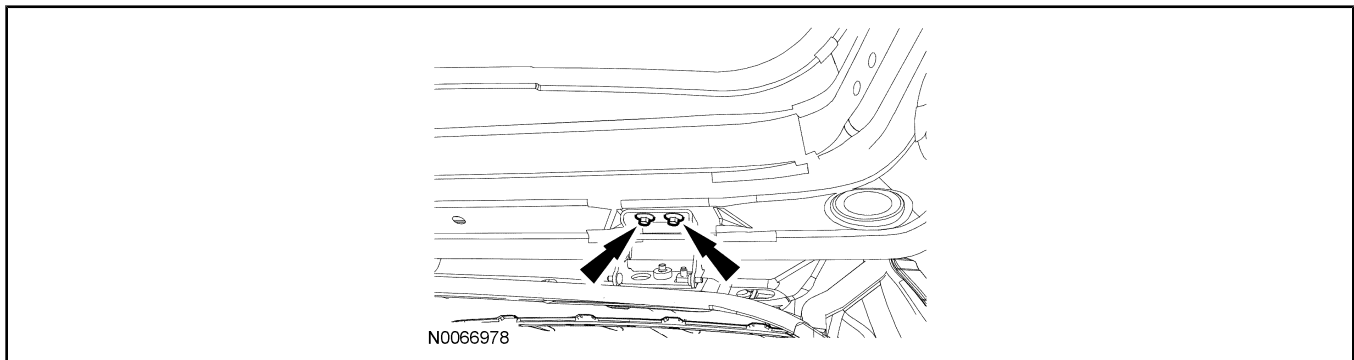
1. Remove the liftgate scuff plate to access the liftgate striker.



2. Remove the liftgate striker.

**Liftgate left and right alignment**

3. Loosen, but do not remove, the hinge-to-liftgate bolts enough to permit movement of the liftgate.



4. Adjust the liftgate so that the gaps are equal.
5. Tighten the liftgate hinge-to-liftgate bolts.
 - Tighten to 15 Nm (133 lb-in).

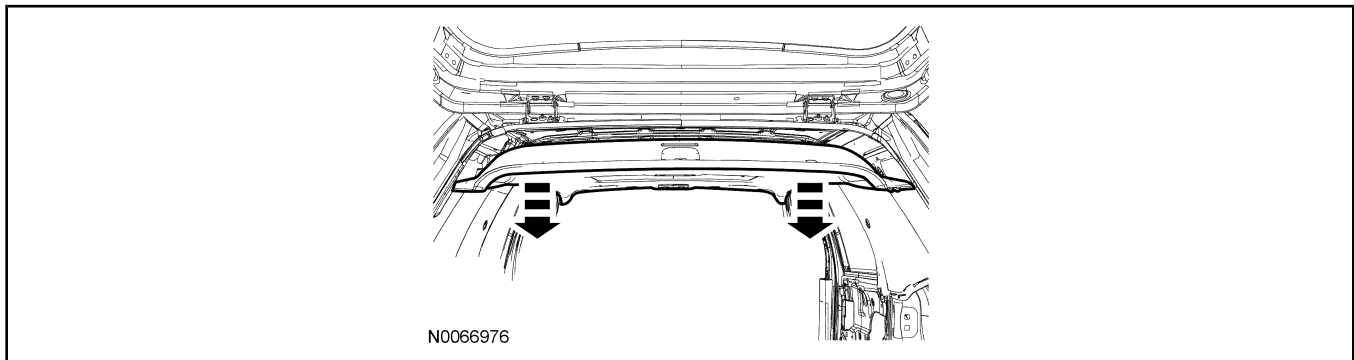
Liftgate in and out, up and down alignment

6. Open the liftgate.
7. Position the top and sides of the liftgate opening weatherstrip aside.
8. Remove the D-pillar trim panels.
9. Remove the safety tethers from the rear of the headliner.
10. Remove the pin-type retainers from the rear of the headliner.

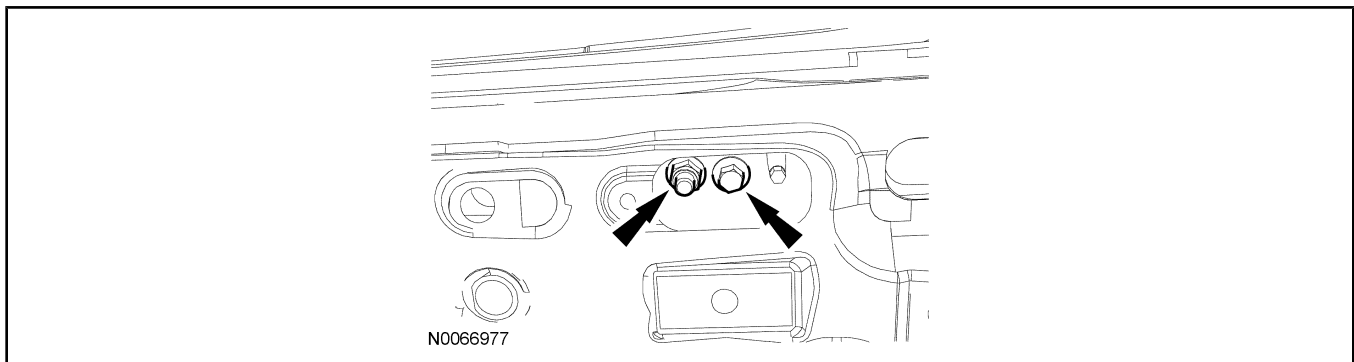
GENERAL PROCEDURES (Continued)**NOTICE:**

Use care to avoid bending or crimping the headliner.

11. Lower the rear of the headliner to gain access to liftgate hinge-to-body fasteners.



12. Loosen, but do not remove, the liftgate hinge-to-body fasteners enough to permit movement of the liftgate.

**All alignments**

13. Adjust the liftgate so that the gaps are equal.
14. Tighten the liftgate hinge-to-body fasteners.
- Tighten the liftgate hinge-to-body nuts to 35 Nm (26 lb-ft).
 - Tighten the liftgate hinge-to-body bolts to 30 Nm (22 lb-ft).
15. Install the liftgate striker, adjust as necessary.
- Tighten to 40 Nm (30 lb-ft).
16. To install, reverse the removal procedure.